

Iredell

Wireless

W4SNC



Published monthly as a service to the Iredell County Amateur Radio Community
By the Iredell County Amateur Radio Society (ICARS)
P.O. Box 142 Statesville NC 28687

www.w4snc.org

Click to go to ICARS Website

President: Rick McClure, [KE4TEP](#)~~Vice-President, Dennis White [N4WHK](#)
Secretary: Jim Hoke, [W4ONS](#)~~Treasurer: Matthew Carbone, K4NYP
Members-at-Large: Don Summers, [W4DON](#)~~Jeff Watts, KC4DBZ

Wireless Editor, Tim Misenheimer KC4MJC

OCTOBER 2007

This month's Meeting will be held at Julia's Tally House. Thursday October 11, 2007. Come early (6:00PM) and eat or ragchew. The Meeting Starts at 7:00 PM. All ICARS members are encouraged to attend!

**Iredell County Amateur Radio Society Meeting Minutes
September 13, 2007**

The Iredell County Amateur Radio Society met September 13, 2007 at Julia's Tally House for the regular monthly meeting. In the absence of President Rick McClure KE4TEP, Vice-President Dennis White N4WHK called the meeting to order at 7:04 PM. There were twelve (12) attending – nine (9) members and three (3) visitors.

Minutes – A motion that the minutes as published be approved was made and seconded. Motion Carried.

Treasurer's Report – Treasurer, Matthew Carbone K4NYP presented and submitted a written report.

Previous Balance.....	\$590.26
Check to Auto Owners Insurance (Liability insurance).....	(\$141.00)
Deposit Dues.....	\$15.00
Ending Balance.....	\$464.26

A motion that the report be approved was made and seconded. Motion carried.

Technical Committee – Don W4DON reported that he and Tim KC4MJC did extensive testing at the repeater site and found nothing wrong with the club's equipment. It is still experiencing desensing. With permission, some equipment at the station was turned off for a test. There was no effect to the level of desensing. Efforts to determine the source of the problem will continue. A new IDer was installed and a picture of the device was passed around. Don described its many functions.

Emergency Preparedness – Dennis reminded us that there will be an exercise at the McGuire plant October 16. Manpower will be needed. Please volunteer to help if you can. There will be a meeting September 21 at ECOM to prepare for this exercise.

The club's participation in the Balloon Rally was brought up for discussion. Due to the fact amateur communication will not be needed, it was voted not to volunteer to participate this year.

Old Business – At the August meeting, a logo design was approved for the Club. John KR4RO brought in twenty-five professional-quality badges he made for the club members at no cost. These badges have the approved Club Logo and are beautifully made. Each member that was present received a badge. Thank you John.

Discussion continued concerning a banner that can be used wherever ICARS is in the public view. Look at the "Wireless" on the web-site. Tim has pictured a number of design suggestions. The banner is to be about three feet by ten or twelve feet and is estimated to cost between \$200 and \$300. Any design suggestions will be appreciated. The next event where a banner could be used is Walk America in March.

The members voted to continue to study a suitable design and obtain cost figures.

At the August meeting, it was voted to change the web site's name to w4snc.org and to secure the site for five years. Tim KC4MJC reported this has been done.

Secretary Jim W4ONS reported that the Club's liability insurance has been paid. The term of the insurance is September 12, 2007 through September 12, 2008. There was no cost increase this year. The cost was again \$141.00.

New Business – Possible programs for the club meeting were discussed. Don will contact Mitchell College to see if someone might present a program concerning their robotics endeavors.

Don W4DON will present a program for the October meeting.

John KR4RO will present a program for the November meeting.

The next meeting will be October 11, 2008 at Julia’s Tally House at 7:00 PM. With no further business, the meeting was adjourned at 8:00 PM.

Secretary,
Jim Hoke, CPBE, W4ONS

I C A R S
FM and HF Nets
**October
2007**

Net Manager: W4DON

Please sign up for one or more Dates and Nets

2m FM Net 2100 L 146.685		10m CW Net 2000 L 28.150		10m SSB Net 2100 L 28.468	
Date	NCS	Date	NCS	Date	NCS
3	KR4RO	6	WB4WRY	6	KR4RO
10	KC4MJC	13	W4DON	13	KE4TEP
17	W4DON	20	WB4WRY	20	N4ACF
24	KE4TEP	27	WB4WRY	27	W4DON
31	N4ACF				

Thank you ladies & gentlemen for signing up!
If you're unable to call the Net find you a replacement NCS.

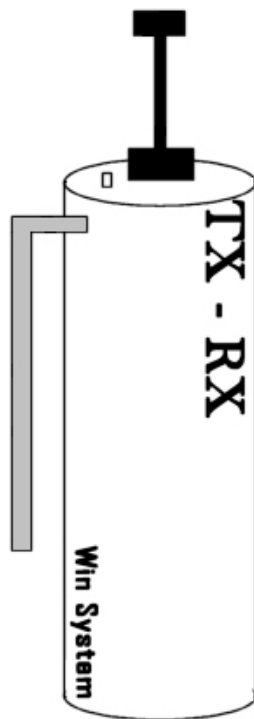


NEW PRODUCTS FROM TX - RX

Are you tired of all the boring "BS" on your local repeater system? Well get ready to start sending those thank you E-Mails to our friends at TX-RX. That's right, our friends at TX-RX have been working around the clock for several months to bring you, members of the Amateur Radio community, the most advanced 2-way communication product ever!

Introducing..

The HP-BSR Duplexer



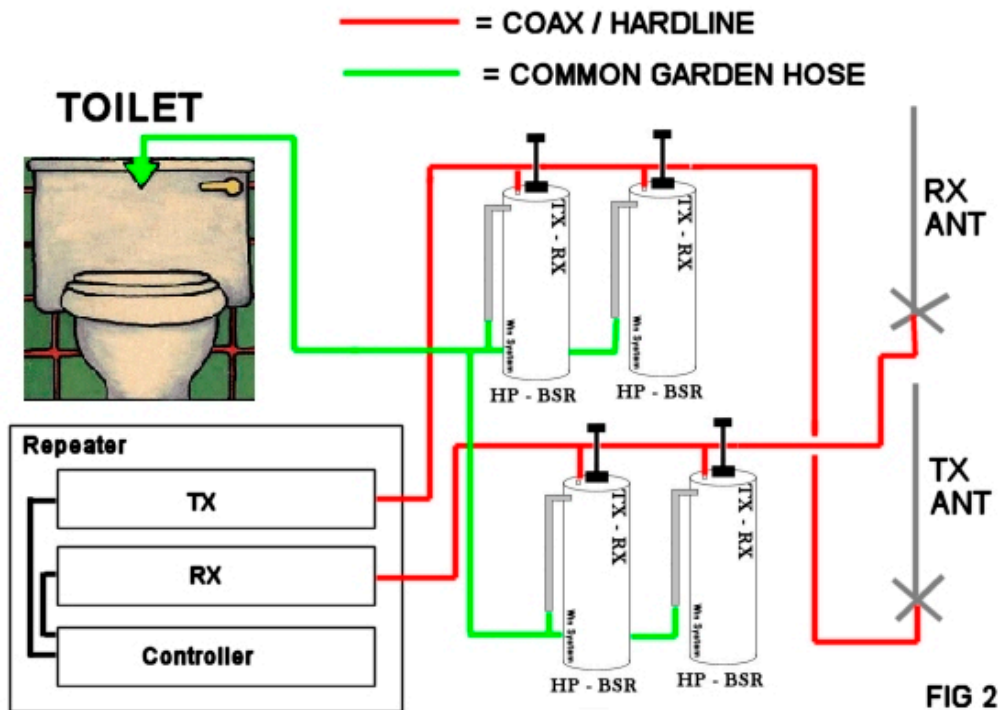
HP - BSR

FIG - 1



That's right, this is THE MOST ADVANCED filter ever designed. Now you may ask yourself, what does HP-BSR mean? Ham Pass - Bull S*** Reject.

Now when you look at the diagram above (fig 1) you will notice that it looks much like your standard, run of the mill Band Pass/Band Reject filter. Well my friends, you are wrong there. The secret is inside the **HP-BSR** filter. It uses within the filter, a highly innovative new device called a Bull S*** Isolator or BSI. See, your standard signal is picked up by the RX antenna, and then fed into the RX side of the HP-BSR Duplexer. The signal (within the filter) is fed through the HP (Ham Pass) loop that is inductively coupled to the NBS (No Bull S***) tuning rod. At the other end of the inductor loop is the BSI where all BS is separated and sent to the notching line (see fig 2).



The signal is then fed into the RX end of the repeater, through the repeater controller, and then to the TX side where it goes through a second set of filters where the HP-BSR process continues, providing more isolation of BS, then out to your TX antenna.

Now all BS (this includes: preaching, foul language, conversations with your XYL about Sally's day at school and how she needs to go to soccer practice, fart sounds, mic crackle, jammers, 425'ers, conversations about how your colon exam went, politics, trivia nets, and any other gripes that you may have about your surroundings) is separated from the signal, and feed out the BS notching line. On the end of the Notching line (see fig 2) is a high quality, 1/2 inch, galvanized pipe fitting where a standard garden hose is connected (NOTE: Not supplied). BS is then feed off each notch, to a combiner and to either a toilet (for home based repeaters or sites with an outhouse) or to a holding tank (for sites with no out houses).

WARNING!!!!

When supplying hose, be sure it is large diameter and SHIELDED. Also, be sure that if you need to use a holding tank that it meets all FCC BS exposure requirements. For best results, use a double-shielded BS holding tank.

Technical Specs:

Insertion Loss: 2db

BS Rejection -

(4 Can Duplexer) 90db

(6 Can Duplexer) 120db

Connector Types -

Input: Silver-plated N type connector

Output: 1-1/2 inch galvanized pipe fitting

NOTE: When using the HP-BSR duplexer in a dual antenna configuration, be sure to place your RX antenna ABOVE your TX antenna and have a barrel (50 gallon drum recommended) placed below the TX antenna to catch any unfiltered BS. TX-RX cannot guarantee that even at 120db of BS isolation, all BS will be filtered. There will always be some SH (S*** Head) that will make it through.

Remember:

If you have it, you don't need it. If you need it, you don't have it. If you have it, you need more of it. If you have more of it, you don't need less of it. You need it to get it, and you certainly need it to get more of it. But if you don't already have any of it to begin with, you can't get any of it to get started; which means you really have no idea how to get it in the first place, do you? You can share it, sure. You can even stockpile it, if you'd like...but you can't fake it. Flaunting it, needing it, wishing for it. The point is, if you've never had any of it, ever, people just seem to know.

I C A R S
 FM and HF Nets
October
2007

Net Manager: W4DON

Please sign up for one or more Dates and Nets

2m FM Net 2100 L 146.685		10m CW Net 2000 L 28.150		10m SSB Net 2100 L 28.468	
Date	NCS	Date	NCS	Date	NCS
3	KR4RO	6	WB4WRY	6	KR4RO
10	KC4MJC	13	W4DON	13	KE4TEP
17	W4DON	20	WB4WRY	20	N4ACF
24	KE4TEP	27	WB4WRY	27	W4DON
31	N4ACF				

Thank you ladies & gentlemen for signing up!
 If you're unable to call the Net find you a replacement NCS.

I.C. ARES FM Training Net Monday's at 2100L on 146.685